

MM & DEGREES U.N.O.

TOLERANCES U.N.O.
 LINEAR ANGULAR
 ±1
 ±0.5 X ±1
 ±0.05 X ±0.5

**DO NOT MEASURE
 OFF THIS DRAWING.
 IF IN DOUBT ASK**



MOTORDRIVES AUSTRALIA
 44 North View Drive
 Sunshine West 3020
 PH 03-9312 4722
 MOB 0438-060 997
 EMAIL darren@motordrives.com.au
 WEB www.tuffwinch.com

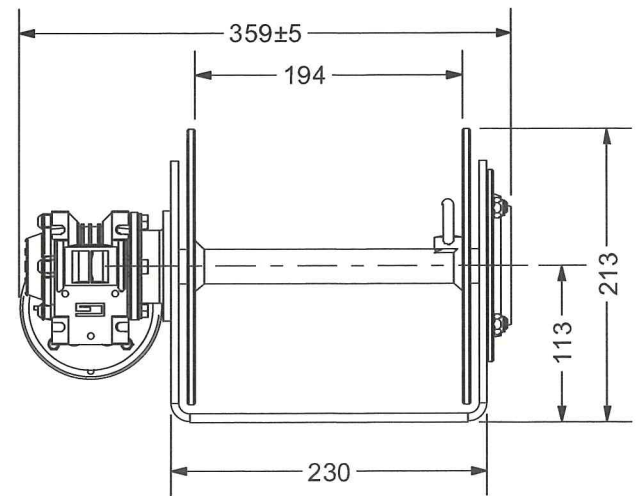
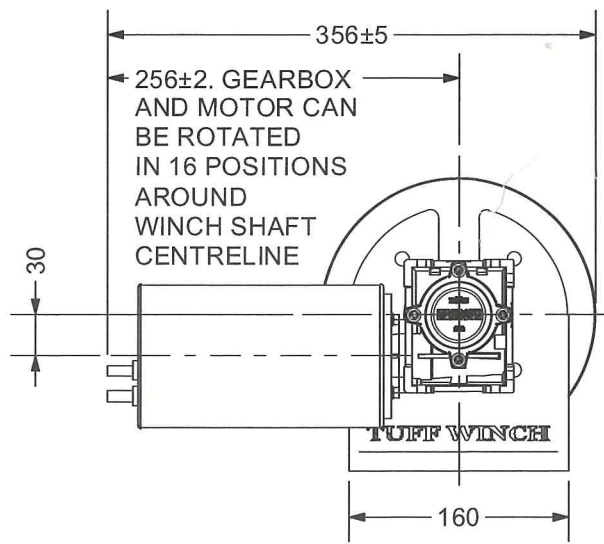
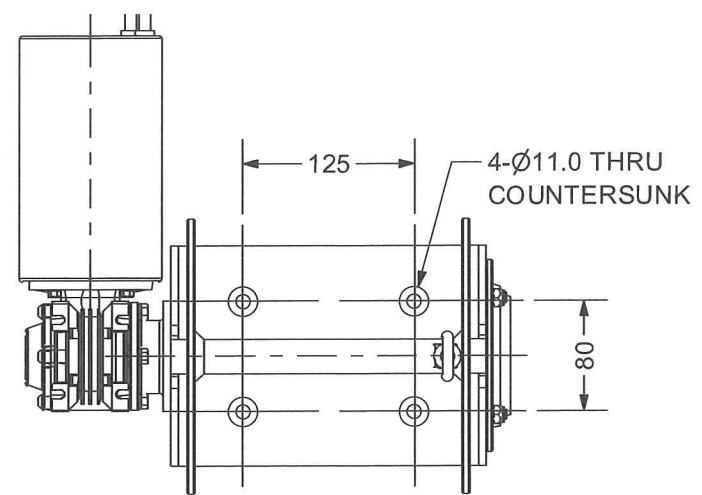
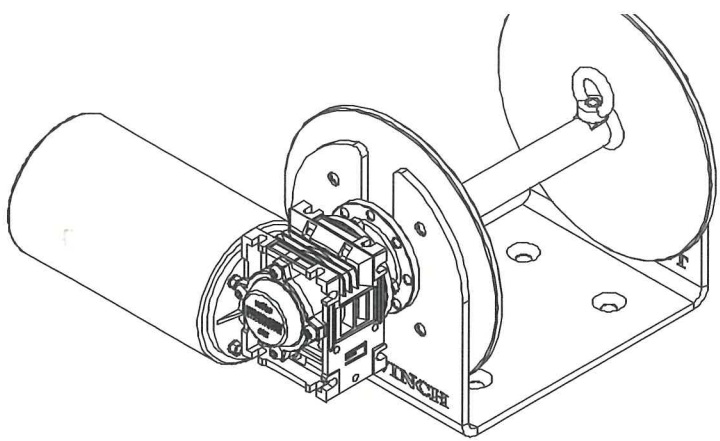
TITLE
 TW180 ANCHOR WINCH ASSY.

DRAWING NUM
 TW180

CLIENT
 TUFFWINCH.COM

DRAWING STA
 APPD. FC
 MANUFA

DRAWN MASS (kg) SHEET SHEET SIZE



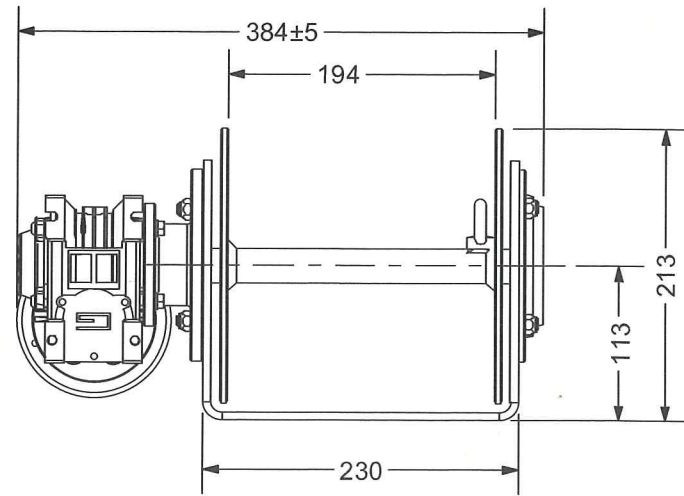
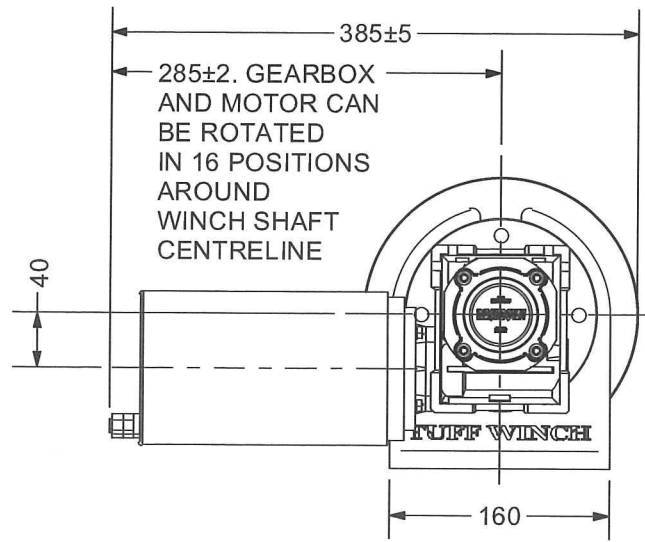
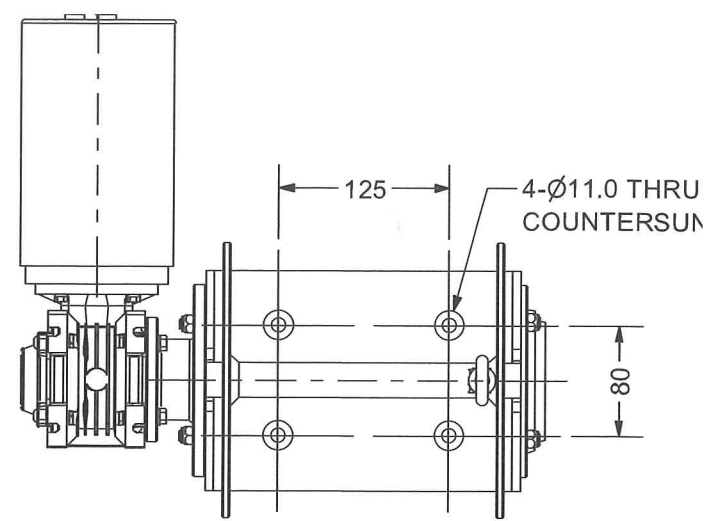
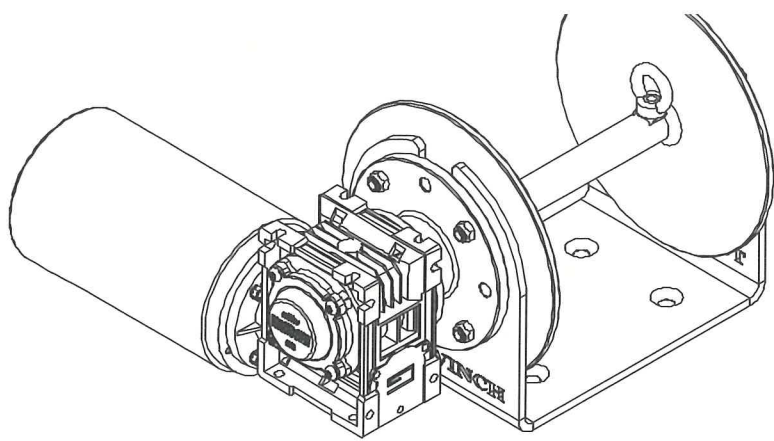
MM & DEGREES U.N.O.
 TOLERANCES U.N.O.
 LINEAR ANGULAR
 (± 1
 C.X ± 0.5 X ± 1'
 C.XX ± 0.05 X.X ± 0.5'
**DO NOT MEASURE
 OFF THIS DRAWING.
 IF IN DOUBT ASK**



MOTORDRIVES AUSTRALIA
 44 North View Drive
 Sunshine West 3020
 PH 03-9312 4722
 MOB 0438-060 997
 EMAIL darren@motordrives.com.au
 WEB www.tuffwinch.com

TITLE TW200 ANCHOR WINCH ASSY.		DRAWING NUM TW200
CLIENT TUFFWINCH.COM		DRAWING STA APPD. F MANUFA
DRAWN	MASS (kg)	SHEET
		SHEET SIZE



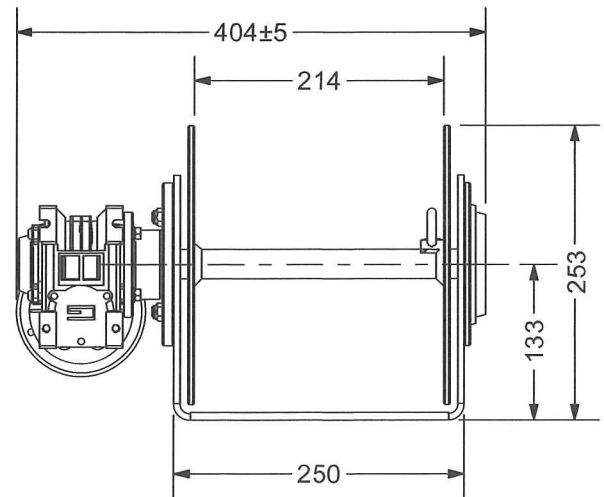
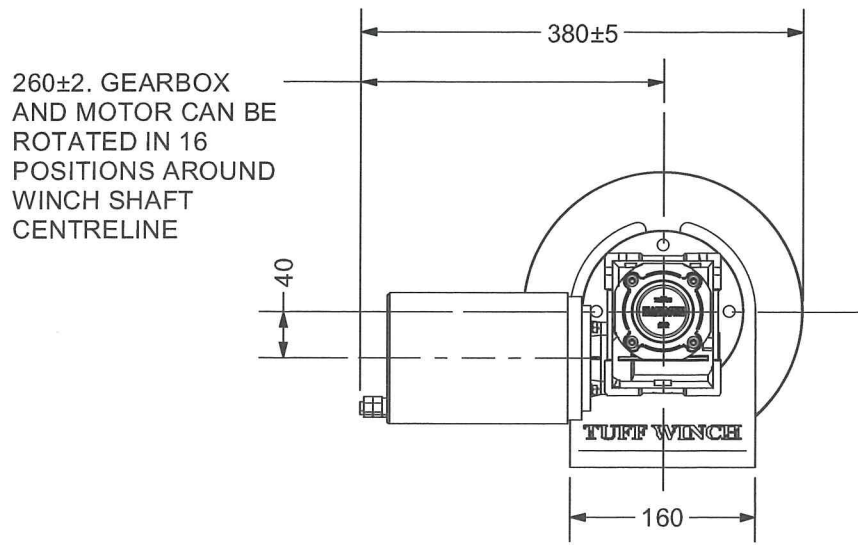
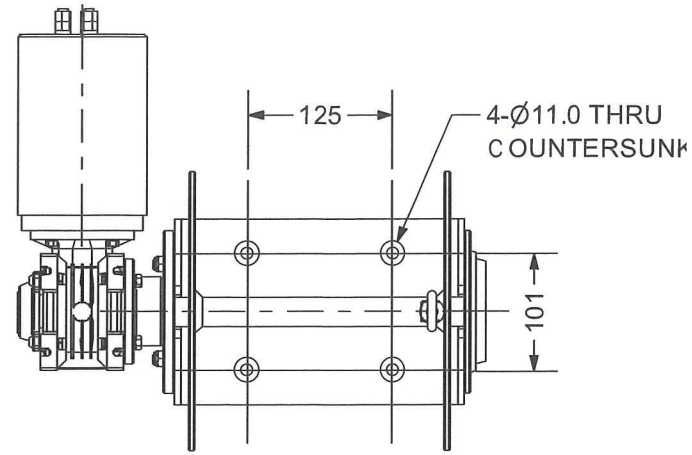
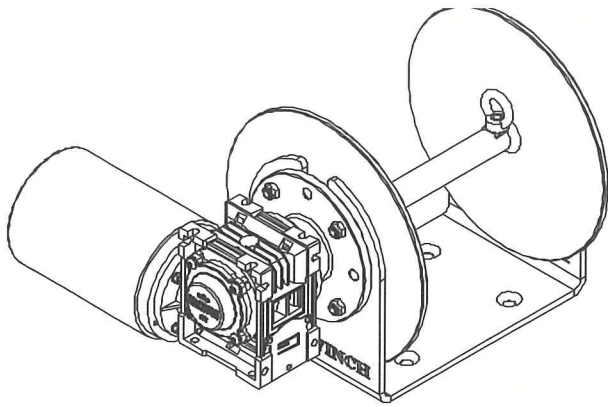


DIMENSIONS IN DEGREES U.N.O.
 TOLERANCES U.N.O.
 NEAR ANGULAR
 ±1
 .X ± 0.5 X ± 1'
 .XX ± 0.05 X.X ± 0.5'
**DO NOT MEASURE
 OFF THIS DRAWING.
 IF IN DOUBT ASK**
 3RD ANGLE



MOTORDRIVES AUSTRALIA
 44 North View Drive
 Sunshine West 3020
 PH 03-9312 4722
 MOB 0438-060 997
 EMAIL darren@motordrives.com.au
 WEB www.tuffwinch.com

TITLE TW200HD ANCHOR WINCH ASSY.		DRAWING NUM TW200HD
CLIENT TUFFWINCH.COM		DRAWING STAT APPD. FOR MANUFACTURE
DRAWN	MASS (kg)	SHEET
SHEET SIZE		SHEET SIZE

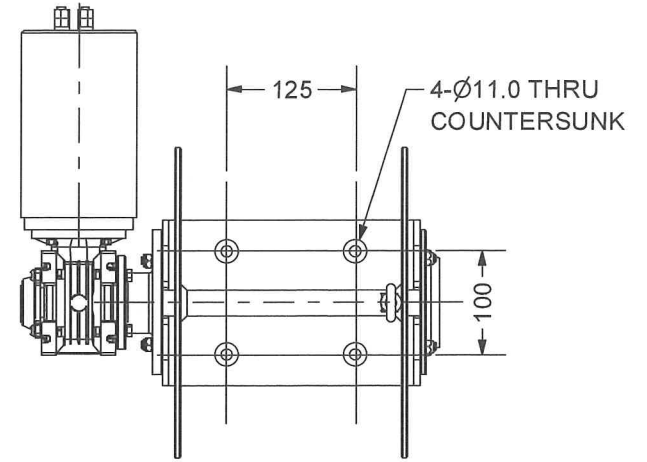
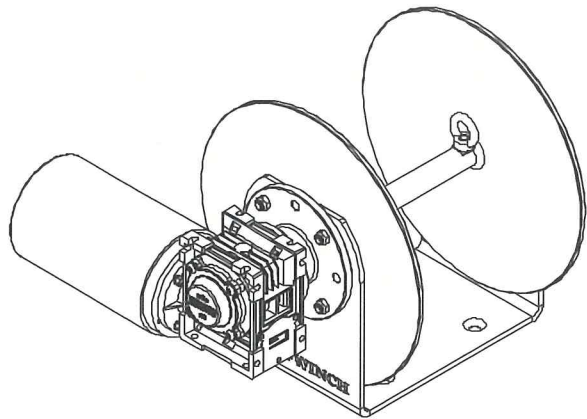


DIMENSIONS IN MILLIMETERS & DEGREES U.N.O.
 TOLERANCES U.N.O.
 LINEAR ±1 ANGULAR ±1'
 .X ± 0.5 X ± 1'
 .XX ± 0.05 X.X ± 0.5'
DO NOT MEASURE OFF THIS DRAWING. IF IN DOUBT ASK
 3RD ANGLE

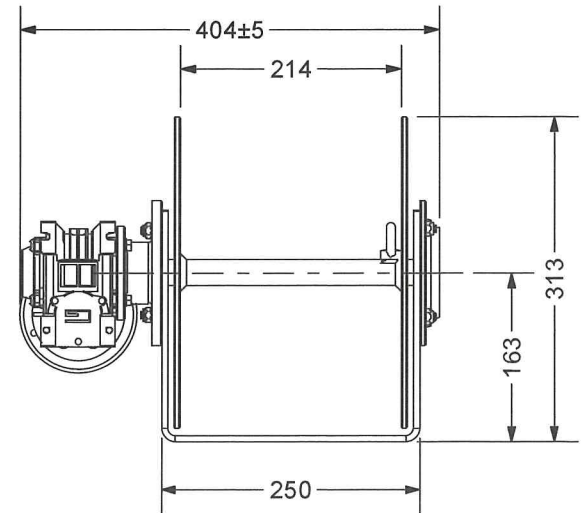
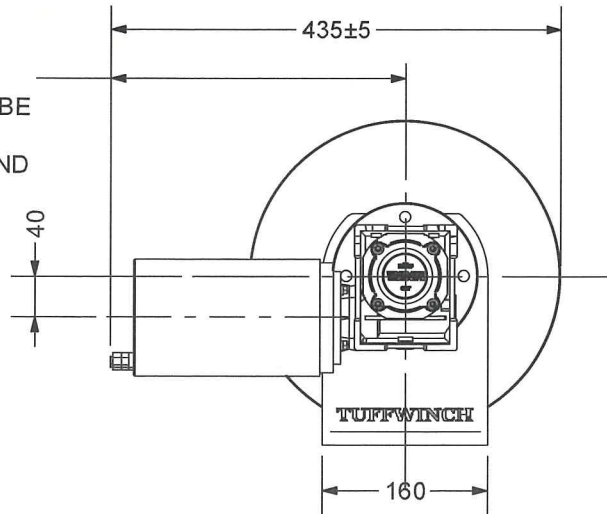


MOTORDRIVES AUSTRALIA
 44 North View Drive
 Sunshine West 3020
 PH 03-9312 4722
 MOB 0438-060 997
 EMAIL darren@motordrives.com.au
 WEB www.tuffwinch.com

TITLE TW240 ANCHOR WINCH ASSY.		DRAWING NUM TW240
CLIENT TUFFWINCH.COM		DRAWING STAT APPD. FC MANUFA
DRAWN	MASS (kg)	SHEET
SHEET SIZE		SHEET SIZE



285±2. GEARBOX
AND MOTOR CAN BE
ROTATED IN 16
POSITIONS AROUND
WINCH SHAFT
CENTRELINE



M & DEGREES U.N.O.

TOLERANCES U.N.O.
NEAR ANGULAR
±1

X ± 0.5 X ± 1'

XX ± 0.05 X.X ± 0.5'

**DO NOT MEASURE
OFF THIS DRAWING.
IF IN DOUBT ASK**



MOTORDRIVES AUSTRALIA
44 North View Drive
Sunshine West 3020
PH 03-9312 4722
MOB 0438-060 997
EMAIL darren@motordrives.com.au
WEB www.tuffwinch.com

TITLE
TW240HC ANCHOR WINCH ASSY.

DRAWING NUMBER
TW240HC

CLIENT
TUFFWINCH.COM

DRAWING STATUS
APPD. FOR
MANUFACTUR

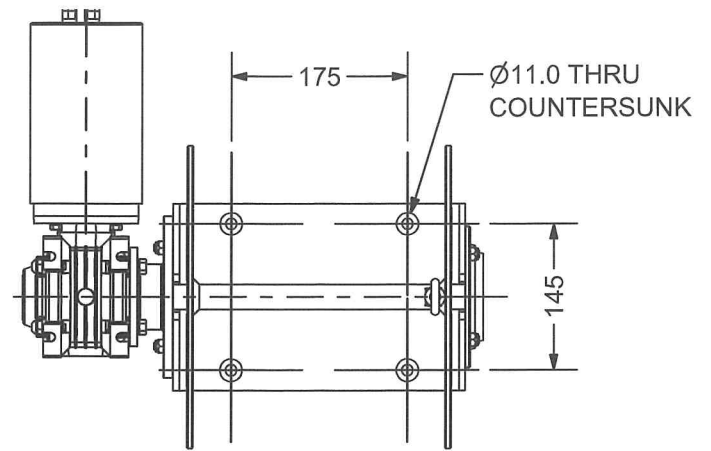
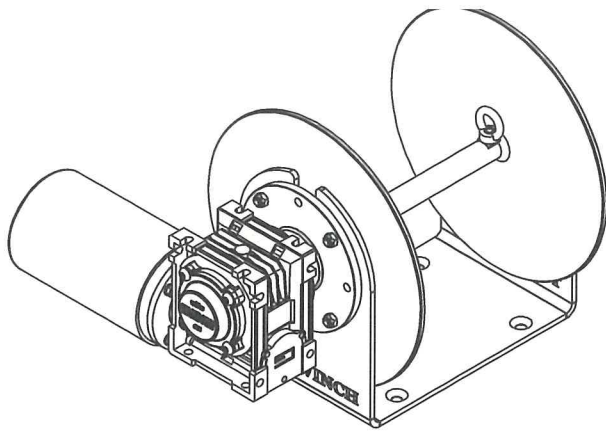
DRAWN

MASS (kg)

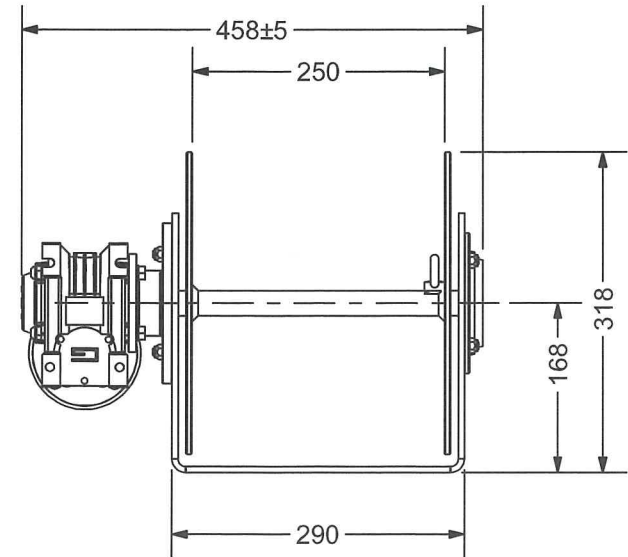
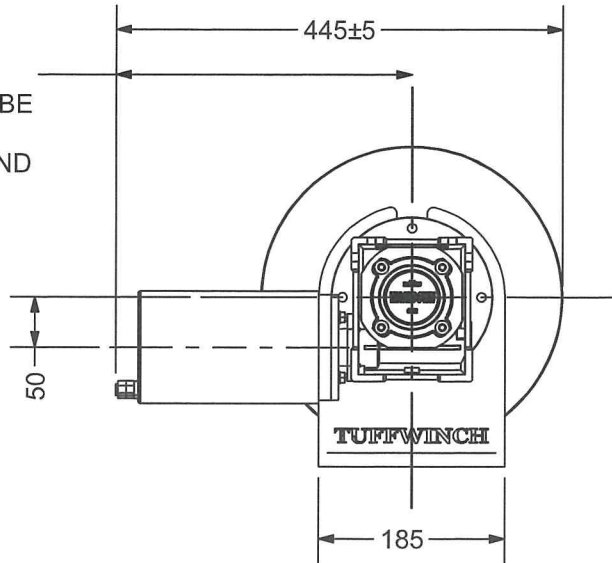
SHEET

SHEET SIZE

REVIS



295±2. GEARBOX
AND MOTOR CAN BE
ROTATED IN 16
POSITIONS AROUND
WINCH SHAFT
CENTRELINE



DIMENSIONS IN MILLIMETERS AND DEGREES U.N.O.

TOLERANCES U.N.O.
LINEAR ±1
ANGULAR ±1

0.X ± 0.5 X ± 1'

0.XX ± 0.05 X.X ± 0.5'

**DO NOT MEASURE
OFF THIS DRAWING.
IF IN DOUBT ASK**



MOTORDRIVES AUSTRALIA
44 North View Drive
Sunshine West 3020
PH 03-9312 4722
MOB 0438-060 997
EMAIL darren@motordrives.com.au
WEB www.tuffwinch.com

TITLE
TW300 ANCHOR WINCH ASSY.

CLIENT
TUFFWINCH.COM

DRAWN

MASS (kg)

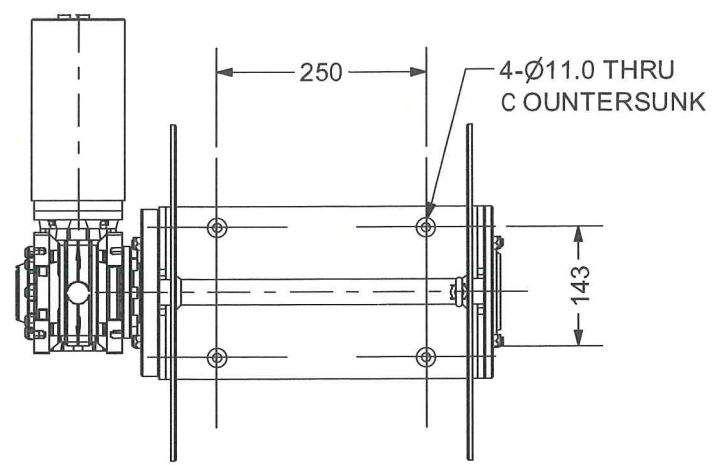
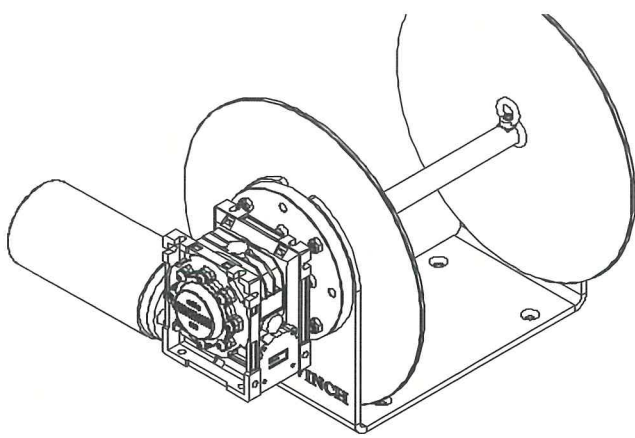
SHEET

DRAWING NUM
TW300

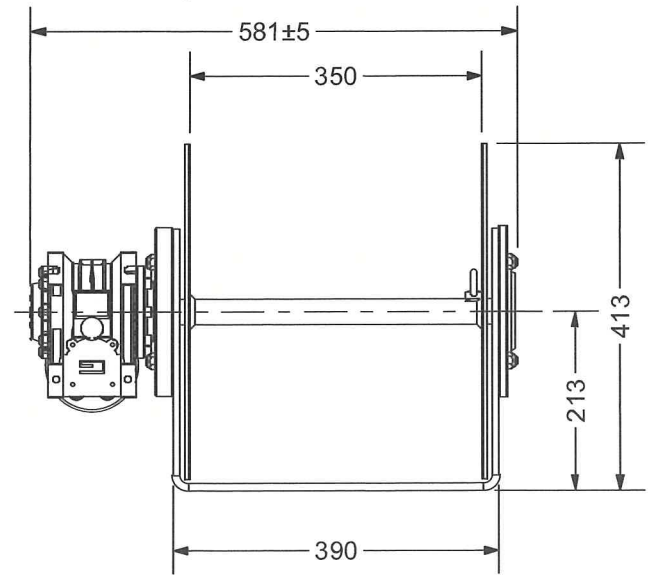
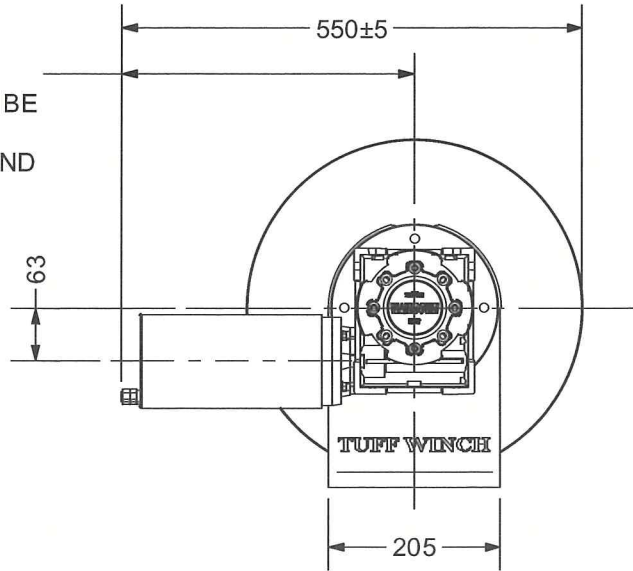
DRAWING STAT
APPD. FC
MANUFA

SHEET SIZE





350±2. GEARBOX
AND MOTOR CAN BE
ROTATED IN 16
POSITIONS AROUND
WINCH SHAFT
CENTRELINE



M & DEGREES U.N.O.

TOLERANCES U.N.O.

NEAR ±1 ANGULAR

.X ± 0.5 X ± 1'

.XX ± 0.05 X.X ± 0.5'

**DO NOT MEASURE
OFF THIS DRAWING.
IF IN DOUBT ASK**



MOTORDRIVES AUSTRALIA
44 North View Drive
Sunshine West 3020
PH 03-9312 4722
MOB 0438-060 997
EMAIL darren@motordrives.com.au
WEB www.tuffwinch.com

TITLE
TW400 ANCHOR WINCH ASSY.

CLIENT
TUFFWINCH.COM

DRAWN

MASS (kg)

SHEET

DRAWING NUM
TW400

DRAWING STAT
APPD. FC
MANUFA

SHEET SIZE