

➔ **HEAVY DUTY BOWSPRITS**

- Self launching
- Manufactured from 316 stainless
- Designed for max strength and durability
- Self rights the anchor on retrieval
- Rollers easy removed and replaced
- Heavy duty threaded thumb screw for anchor removal (note: this only applies to Bowsprit range up to W3-4)
- Dual roller prevents bruising & chaffing of the anchor rope
- Its design suits or can be adapted to most boats
- Wide ranges of sizes available
- 3 years warranty (excluding rollers)



Sarca Bowsprits come in wide variety of sizes suitable for small tinnies up to super yachts.



➔ **BOWROLLER AND ANCHOR**

- SARCA Bow Rollers are HEAVY DUTY designs for rugged use with winches
- They will accept MOST ANCHOR DESIGNS
- With assured SELF-Launching they make DEPLOYING your anchor SAFE and EASY
- They SELF-ALIGN and SELF-RIGHT your anchor on RETRIEVAL
- Produced in 316 STAINLESS STEEL and MARINE GRADE ALLOY



LONGER BOW ROLLERS ARE AVAILABLE SUCH AS: W3-4B or W3-4C



BOAT SIZE (METRES)	ANCHOR SIZE AND TYPE	BOAT ROLLER SIZE
2.5-3.5	Super Sarca .5	A1 - 2
4.7	No. 1 SARCA OR No. 1 EXCEL	WA1 - 2
5	No. 2 SARCA OR No. 1 EXCEL	WA1 - 2
6	No.3 SARCA	W3 - 4 A
6	No.2 EXCEL	WA1 - 2
7.6	No.3 SUPER SARCA	W3 - 4 A
7.6	No.3 EXCEL	W3 - 4 A

➔ **Rope & chain kits**



➔ **Chain sock**



➔ **Accessories Kit**



➔ **Wiring loom**



➔ **Drum Winch Safety Cover**



➔ **Small Hawse pipes**



➔ **Large Hawse pipes**



➔ **Deck Roller pipes**



To view the full range go to www.tuffwinch.com | QLD 07 3800 0103 | VIC 03 9312-4722



AUSTRALIAN DESIGNED, MADE IN QUEENSLAND.

ANCHOR WINCHES

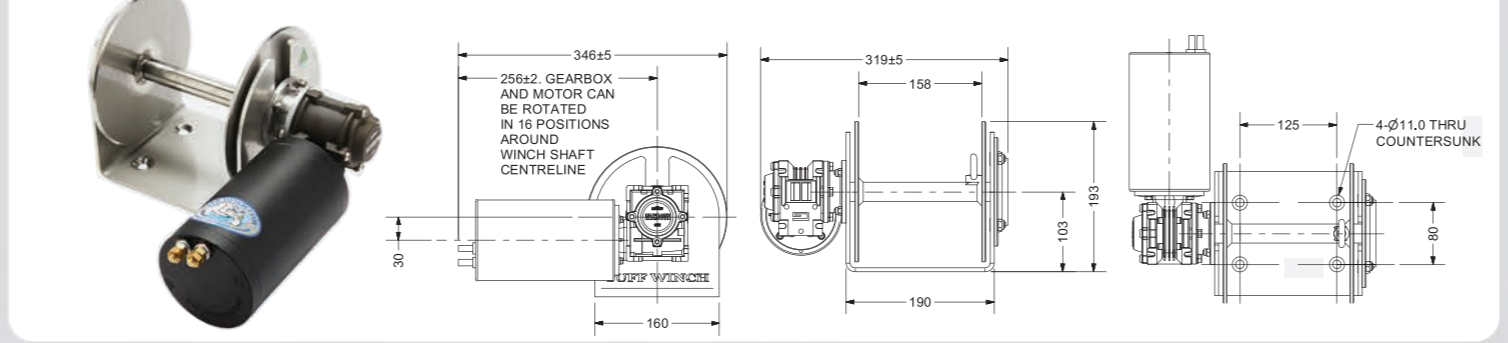


- 316 STAINLESS STEEL
- 316SS SOLID MACHINED SHAFTS (NOT PIPE)
- INDUSTRIAL RATED DC MOTORS 4 BRUSH DESIGN LONGER LIFE IP66 RATED
- 5MM CLEARANCE BETWEEN DRUM AND FRAME (LESS CHANCE OF ROPE TANGLES)
- STAINLESS STEEL BEARINGS ON OPPOSITE SIDE (NOT BUSHES)
- MACHINE DRUM EDGES
- 4 BEARING DRUM SUPPORT

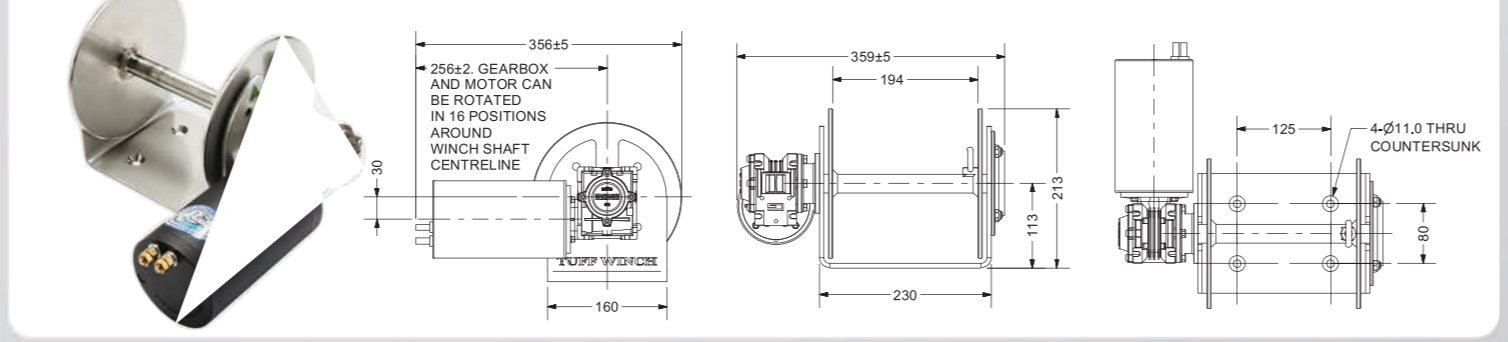
All electrics included (except cable) | Distributor wholesale pricing | 10 models available

IP66 CERTIFIED MOTORS

➔ **Tuff Winch Model 180** TW180 COMPACT WINCH 800 WATT 4 BRUSH DC MOTOR SUITED FOR BOATS 3MT - 5MT HOLDS 50 MET OF 6MM ROPE INC CHAIN



➔ **Tuff Winch Model 200** TW200 WINCH 1000 WATT 4 BRUSH DC MOTOR SUITED FOR BOATS 4-7MT HOLDS 65 MET OF 6MM ROPE INC CHAIN

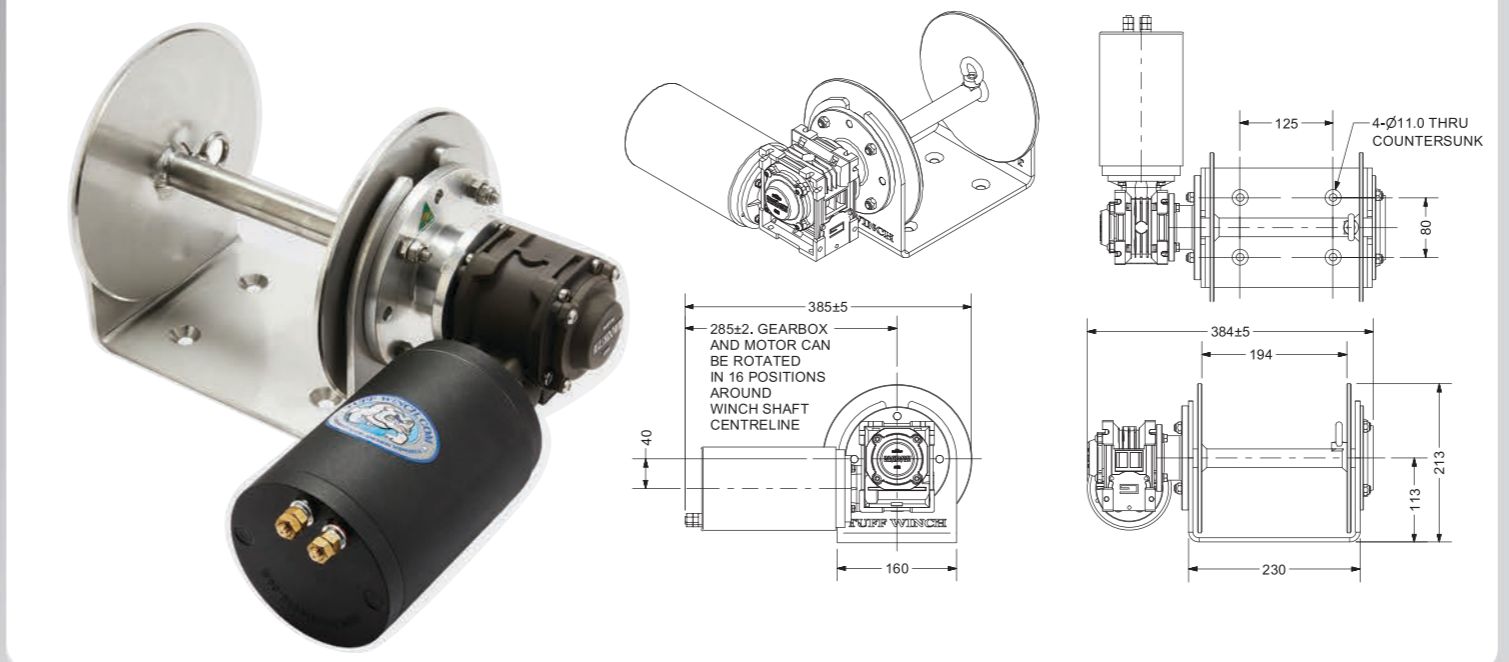


For more info go to www.tuffwinch.com

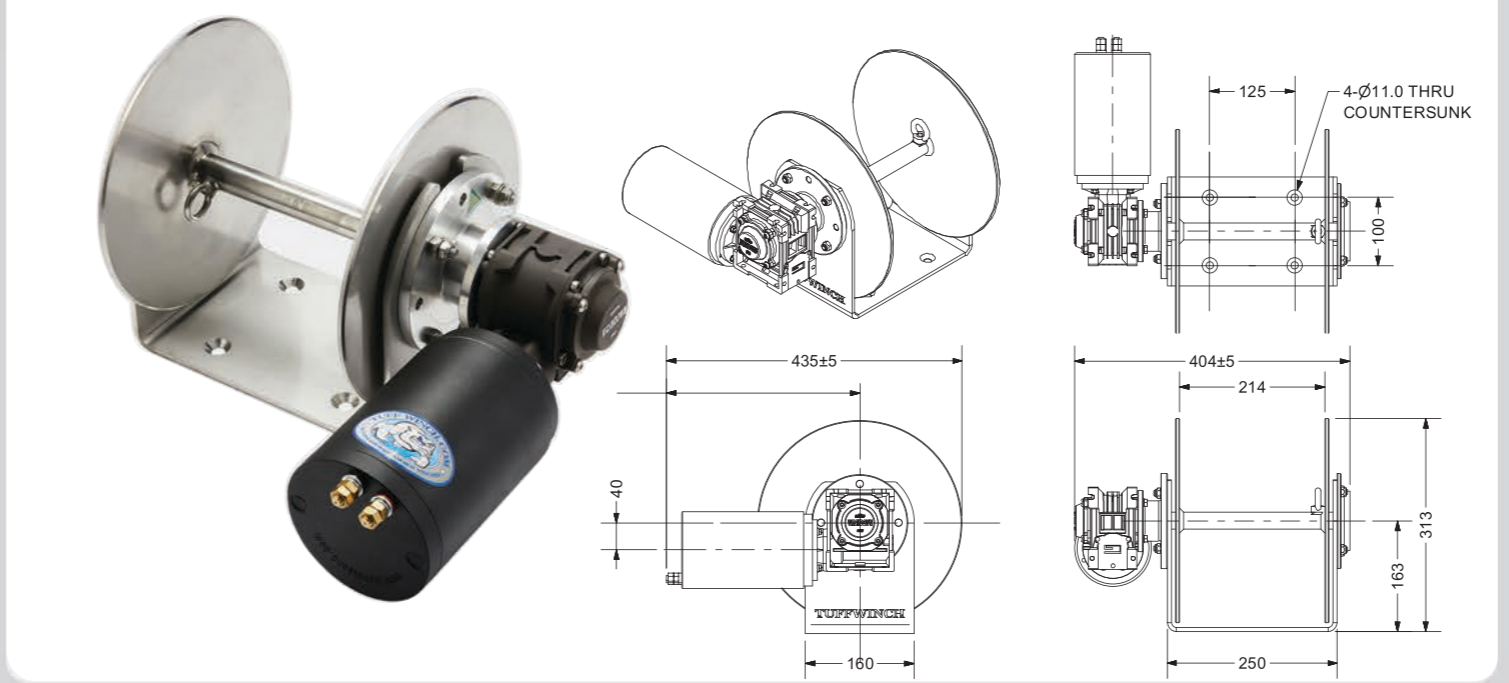


FULL WINCH KITS AVAILABLE FOR ALL SIZES

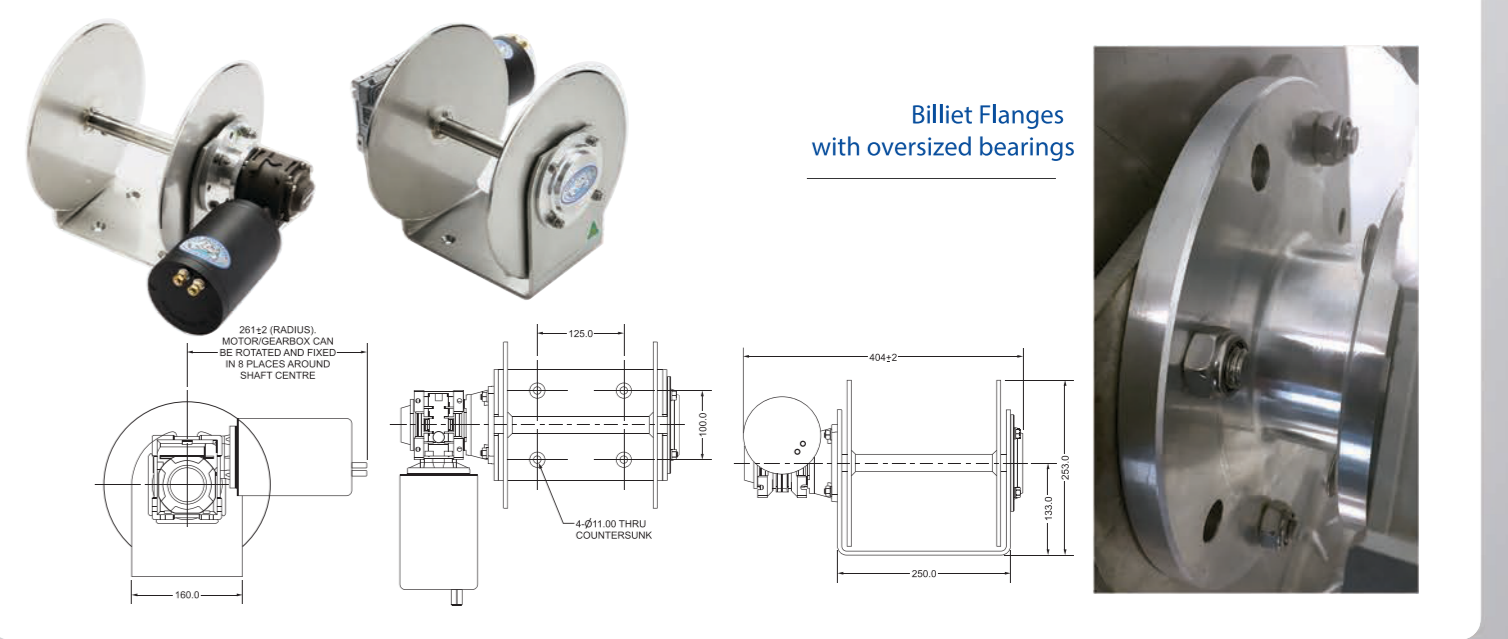
➔ **Tuff Winch Model 200 (HD)** TW200 HEAVY DUTY 1000 WATT 4 BRUSH DC MOTOR SUITED FOR BOATS 4MT - 7MT HOLDS 65 METRES OF 6MM ROPE INC CHAIN



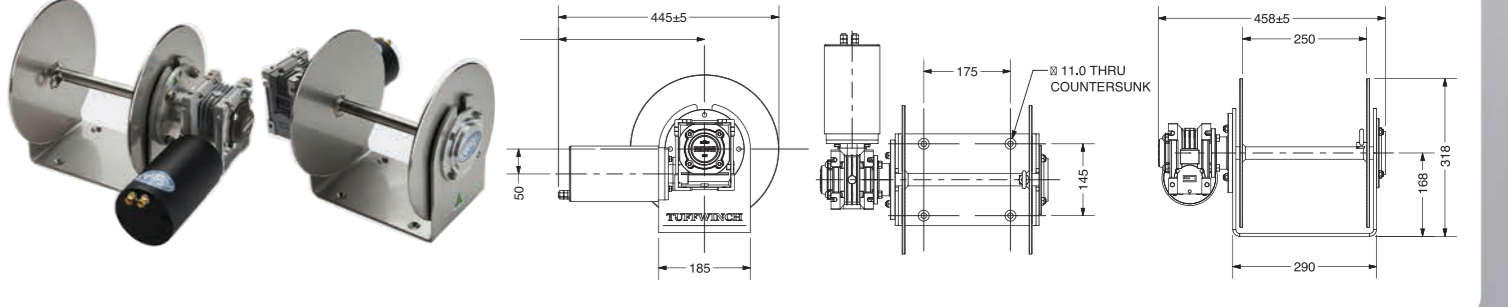
➔ **Tuff Winch Model 240** TW240 WINCH 1000 WATTS 4 BRUSH DC MOTOR SUITED FOR 4MT - 7.5MT BOATS HOLDS 90 METRES OF 8MM ROPE INC CHAIN



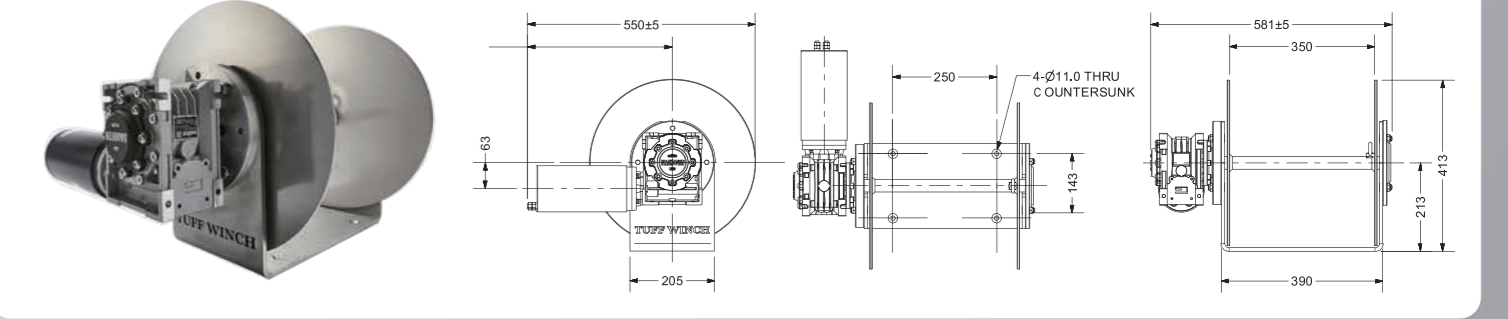
➔ **Tuff Winch Model 240 (HC)** TW240HC HIGH CAPACITY 300MM DRUM 1500 WATT 4 BRUSH DC MOTOR SUITED FOR 5MT - 8MT BOATS HOLDS 120 METRES OF 8MM ROPE AND CHAIN



➔ **Tuff Winch Model 300** TW300 WINCH 2000 WATTS 4 BRUSH DC MOTOR SUITED FOR BOATS 5MT - 9MT HOLDS 140 METRES OF 10MM ROPE AND CHAIN



➔ **Tuff Winch Model 400** TW400GG 3000 WATT 4 BRUSH DC MOTOR - SUITED FOR CATS, AND LARGE BOATS UP TO 10 METRES. HOLDS 200 METERS OF 12MM ROPE AND CHAIN



We can provide you with custom kits or our standard kit which includes loom, winch, rope/chain, deck roller, switch kit