

HEAVY DUTY BOWSPRITS



- Self launching
- Manufactured from 316 stainless
- Designed for max strength and durability
- Self rights the anchor on retrieval
- Rollers easy removed and replaced
- Heavy duty threaded thumb screw for anchor removal (note: this only applies to Bowsprit range up to W3-4)
- Duel roller prevents bruising & chaffing of the anchor rope
- Its design suits or can be adapted to most boats
- Wide ranges of sizes available
- 3 years warranty (excluding rollers)

Sarca Bowsprits come in wide variety of sizes suitable for small tinnies up to super yachts.



BOWROLLER AND ANCHOR

- SARCA Bow Rollers are HEAVY DUTY designs for rugged use with winches
- They will accept MOST ANCHOR DESIGNS
- With assured SELF-Launching they make DEPLOYING your anchor SAFE and EASY
- They SELF-ALIGN and SELF-RIGHT your anchor on RETRIEVAL
- Produced in 316 STAINLESS STEEL and MARINE GRADE ALLOY

LONGER BOW ROLLERS ARE AVAILABLE SUCH AS: W3-4B or W3-4C



BOAT SIZE (Metres)	ANCHOR SIZE And TYPE	BOW ROLLER SIZE
2.5- 3.5	Super Sarca .5	A1 - 2
4.7	No. 1 SARCA OR No.1 EXCEL	WA1 - 2
5	No. 2 SARCA OR No.1 EXCEL	WA1 - 2
6	No.3 SARCA	W3 - 4 A
6	No.2 EXCEL	WA1 - 2
7.6	No.3 SUPER SARCA	W3 - 4 A
7.6	No.3 EXCEL	W3 - 4 A

Rope and chain kits and chain sock



Hawse pipe



Deck roller



Australian Made Anchor Winches



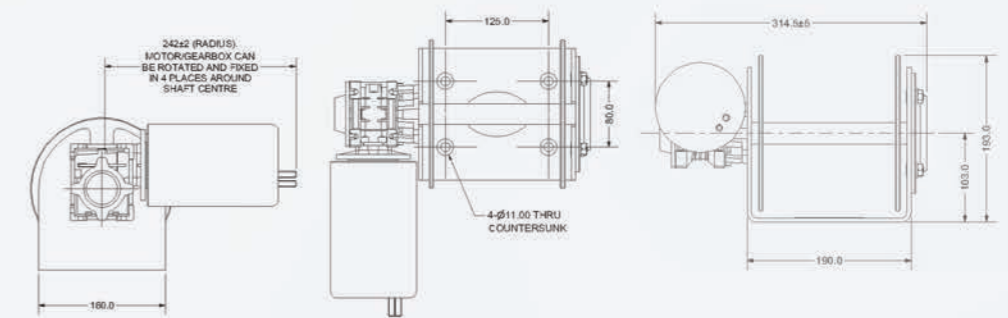
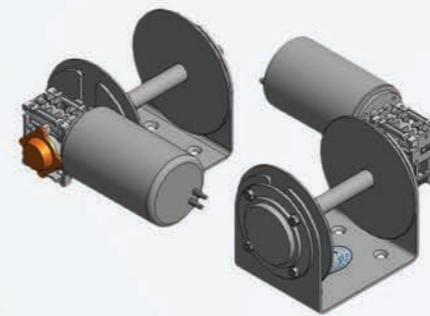
- 316 STAINLESS STEEL 6MM (NOT 5MM)
- 316SS SOLID MACHINED SHAFTS (NOT PIPE)
- INDUSTRIAL RATED DC MOTORS 4 BRUSH DESIGN LONGER LIFE IP66 RATED
- 5MM CLEARANCE BETWEEN DRUM AND FRAME (LESS CHANCE OF ROPE TANGLES)
- STAINLESS STEEL BEARINGS ON OPPOSITE SIDE (NOT BUSHES)

All electrics included (except cable) | Distributor wholesale pricing | 10 models available



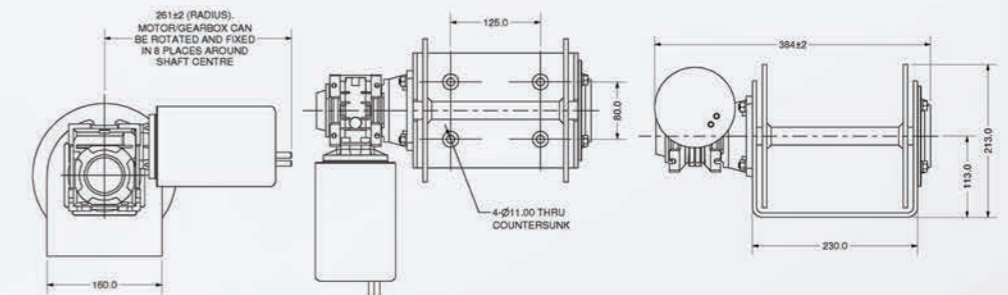
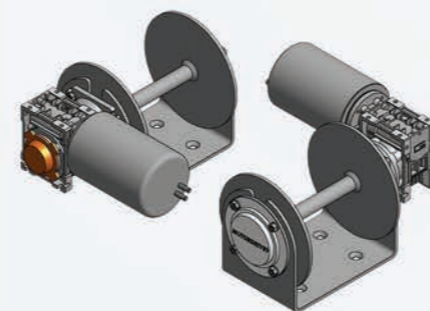
Tuff Winch Model 180

TW180 COMPACT WINCH 800 WATT 4 BRUSH DC MOTOR SUITED FOR BOATS 3MT – 5MT HOLDS 50 MET OF 6MM ROPE INC CHAIN



Tuff Winch Model 200

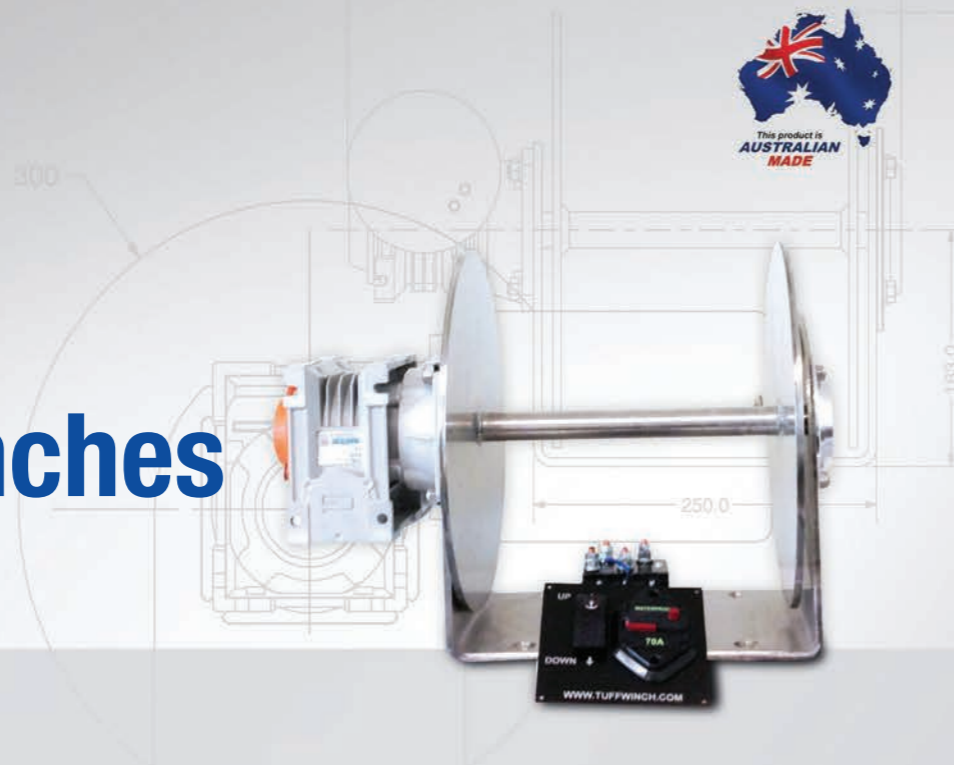
TW200 WINCH 800 WATT 4 BRUSH DC MOTOR SUITED FOR BOATS 3MT – 5.5MT HOLDS 60 MET OF 6MM ROPE INC CHAIN



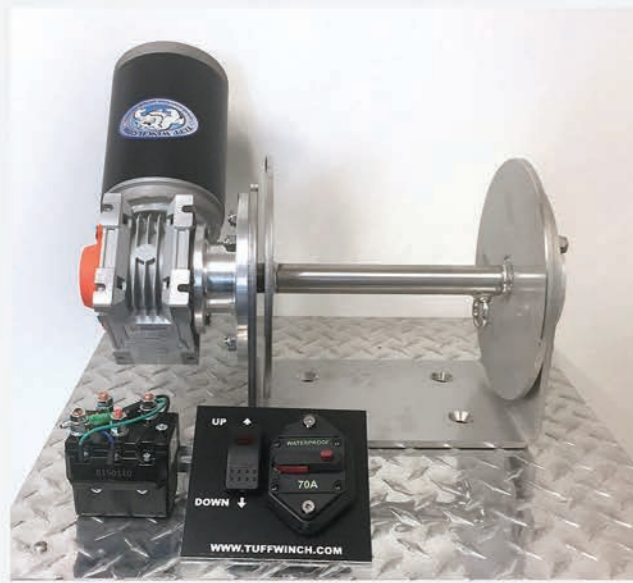


Australian Made Anchor Winches

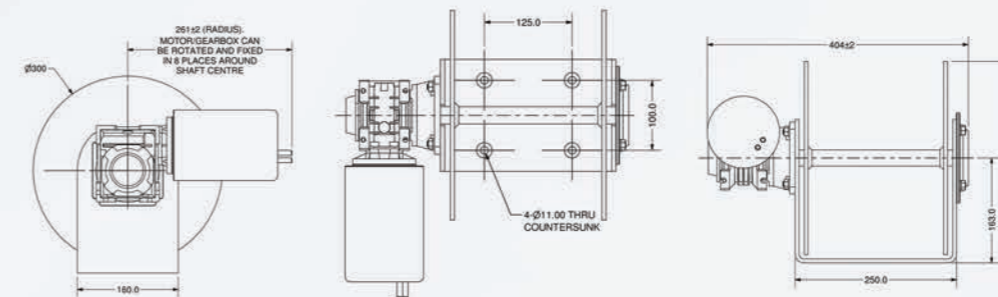
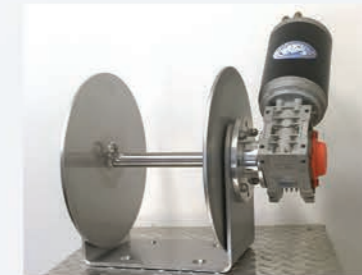
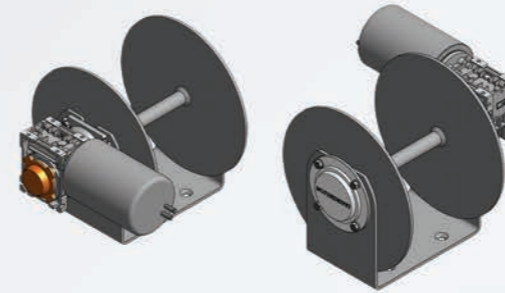
For more info go to www.tuffwinch.com



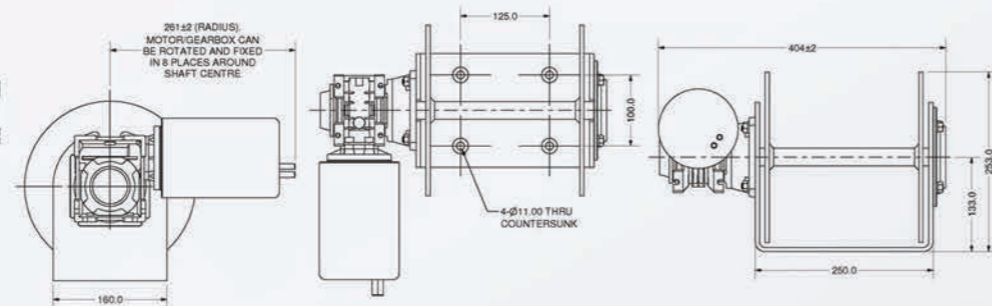
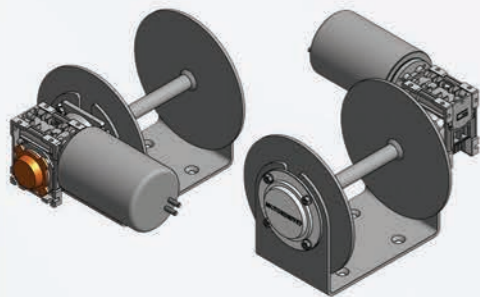
➔ **Tuff Winch Model 200 (HD)** TW200 HEAVY DUTY 1000 WATT 4 BRUSH DC MOTOR
SUITED FOR BOATS 4MT – 7MT HOLDS 60 METRES OF 6MM ROPE INC CHAIN



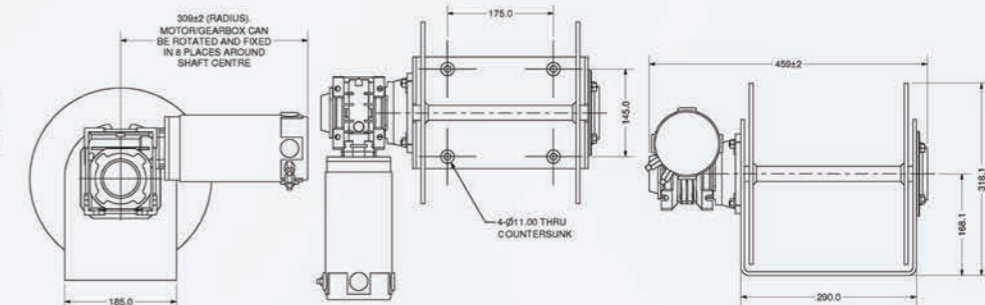
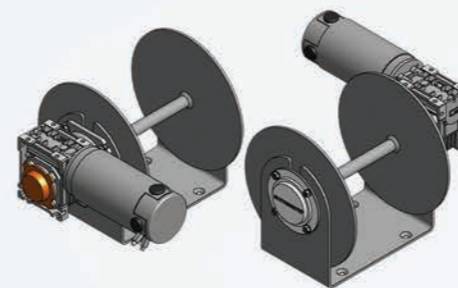
➔ **Tuff Winch Model 240 (HC)** TW240HC HIGH CAPACITY 300MM DRUM 1500 WATT 4 BRUSH DC MOTOR
SUITED FOR 5MT – 8MT BOATS HOLDS 120 METRES OF 8MM ROPE AND CHAIN



➔ **Tuff Winch Model 240** TW240 WINCH 1000 WATTS 4 BRUSH DC MOTOR
SUITED FOR 4MT – 7.5MT BOATS HOLDS 90 METRES OF 8MM ROPE INC CHAIN



➔ **Tuff Winch Model 300** TW300 WINCH 2000 WATTS 4 BRUSH DC MOTOR
SUITED FOR BOATS 5MT – 9MT HOLDS 140 METRES OF 10MM ROPE AND CHAIN



➔ **Tuff Winch Model 400** TW400GG 3000 WATT 4 BRUSH DC MOTOR - SUITED FOR CATS, AND LARGE BOATS UP TO 10 METRES. HOLDS 200 METERS OF 12MM ROPE AND CHAIN

